

COBRA

MODELS: LB45024V (BV-D1561D)

COBRA CORDLESS LEAF BLOWER OWNER'S MANUAL



Cobra Garden Machinery

Henton and Chattell Ltd., London Road, Nottingham NG2 3HW UK

www.cobragarden.co.uk

⚠ WARNING:

For your own safety please read this manual before attempting to operate your new tool. Failure to follow instructions can result in serious personal injury. Spend a few moments to familiarize yourself with your garden tool before each use. Keep this manual in a safe place, so that the information is available at all times. If you give the equipment to any other person, hand over these operating instructions and safety regulations as well.

1. SYMBOLS MARKED ON THE PRODUCT



Read operator's manual

Read the instruction manual before using the appliance.



Keep bystanders away.



Wear eye and ear protection.



Keep hands out of rotation fan.



Do not use this product in the rain or leave outdoors while it is raining.



The charger is intended for indoor use only.



CE Marking

The product meets demands and regulations set by the European Community.



WEEE Marking

CAUTION! Unusable power tools do not belong with domestic waste. They must be taken to a communal collecting point for environmentally friendly disposal in accordance

Battery Disposal:

Old accumulators and batteries must not be added to household waste, but should be disposed of in accordance with the applicable legislation. Take unusable rechargeable batteries to the dealer's or community's battery collection point.

Disposing of the packaging: The packaging is made of cardboard and separately labeled foil which is also recyclable. Take these materials to a recycling centre.

Battery packs/batteries:



Li-Ion

Do not dispose of batteries into household waste. Keep away from water or fire. Battery packs/batteries must be collected, recycled or disposed of in an environmentally-friendly way.

Only for EC countries:

Defective or dead batteries must be recycled according to the directive 2006/66/EC



Noise level marking

Your tool noise is not more than 100dB.

2. GENERAL SAFETY RULES

General Power Tool Safety Warnings

WARNING:

Read all safety warnings and all instructions. Failure to follow the warnings and instructions may result in electric shock, fire and/or serious injury. Save all warnings and instructions for future reference.

The term “power tool” in the warnings refers to your mains-operated (corded) power tool or battery operated (cordless) power tool.

2.1 WORK AREA SAFETY

- a) Keep work area clean and well lit. Cluttered or dark areas invite accidents.
- b) Do not operate power tools in explosive atmospheres, such as in the presence of flammable liquids gases or dust. Power tools create sparks which may ignite the dust or fumes
- c) Keep children and bystanders away while operating a power tool. Distractions can cause you to lose control. Set a safe working area.

2.2 PERSONAL SAFETY

- a) Stay alert, watch what you are doing and use common sense when operating a power tool. Do not use a power tool while you are tired or under the influence of drugs, alcohol or medication. A moment of distraction while operating power tools may result in serious personal injury.
- b) Use personal protective equipment. Always wear eye protection. Protective equipment such as dust mask, non-skid safety shoes, hard hat, or hearing protection used for appropriate conditions will reduce personal injuries.
- c) Prevent unintentional starting. Ensure the switch is in the off-position before connecting to power source and/or battery pack, picking up or carrying the tool. Carrying power tools with your finger on the switch or energising power tools that have the switch on invites accidents.
- d) Remove any adjusting key or wrench before turning the power tool on. A wrench or a key left attached to a rotating part of the power tool may result in personal injury.
- e) Do not overreach. Keep proper footing and balance at all times. This enables better control of the power tool in unexpected situations.
- f) Dress properly. Do not wear loose clothing or jewelry. Keep your hair, clothing and gloves away from moving parts. Loose clothes, jewelry or long hair can be caught in moving parts.
- g) If devices are provided for the connection of dust extraction and collection facilities, ensure these are

connected and properly used. Use of dust collection can reduce dust-related hazards.

2.3 POWER TOOL USE AND CARE

a) Do not force the power tool. Use the correct power tool for your application. The correct power tool will do the job better and safer at the rate for which it was designed.

b) Do not use the power tool if the switch does not turn it on and off. Any power tool that cannot be controlled with the switch is dangerous and must be repaired.

c) Disconnect the plug from the power source and/or the battery pack from the power tool before making any adjustments, changing accessories, or storing power tools. Such preventive safety measures reduce the risk of starting the power tool accidentally.

d) Store idle power tools out of the reach of children and do not allow persons unfamiliar with the power tool or these instructions to operate the power tool. Power tools are dangerous in the hands of untrained users.

e) Maintain power tools. Check for misalignment or binding of moving parts, breakage of parts and any other condition that may affect the power tool's operation. If damaged, have the power tool repaired before use. Many accidents are caused by poorly maintained power tools.

f) Keep cutting tools sharp and clean. Properly maintained cutting tools with sharp cutting edges are less likely to bind and are easier to control.

g) Use the power tool, accessories and tool bits etc. in accordance with these instructions, taking into account the working conditions and the work to be performed. Use of the power tool for operations different from those intended could result in a hazardous situation.

2.4 BATTERY TOOL USE AND CARE

a) Recharge only with the charger specified by the manufacturer. A charger that is suitable for one type of battery pack may create a risk of fire when used with another battery pack.

b) Use power tools only with specifically designated battery packs. Use of any other battery packs may create a risk of injury and fire.

c) When the battery pack is not in use, keep it away from other metal objects, like paper clips, coins, keys, nails, screws or other small metal objects, that can make a connection from one terminal to another. Shorting the battery terminals together may cause burns or a fire.

d) Under abusive conditions, liquid may be ejected from the battery; avoid contact. If contact accidentally occurs, flush with water. If liquid contacts eyes, additionally seek medical help. Liquid ejected from the battery may cause irritation or burns.

2.5 SERVICE

Have your power tool serviced by a qualified repair person using only identical replacement parts. This will ensure that the safety of the power tool is maintained.

Accumulator Disposal:

Old Accumulators and batteries must not be added to household waste, but should be disposed of in accordance with the applicable legislation.

Take unusable rechargeable batteries to the dealer's or community's battery collection point.

Disposing of the packaging:

The packaging is made of cardboard and separately labeled foil which is also recyclable.

Take these materials to a recycling centre.

Battery packs/batteries:



Li-Ion

Do not dispose of batteries into household waste, water or fire. Battery packs/batteries must be collected, recycled or disposed of in an environmentally -friendly way.

Only for EC countries:

Defective or dead batteries must be recycled according to the directive 2006/66/EC

2.6 ADDITIONAL WARNINGS

1. This tool is not intended for use by persons (including children) with reduced physical, sensory or mental capabilities, or lack of experience and knowledge, unless they have been given supervision or instruction concerning use of the appliance by a person responsible for their safety.

Children should be supervised to ensure that they do not play with the appliance.

2. When working with the machine, always hold it firmly with both hands and provide for a secure stance. The power tool is guided more secure with both hands.

3. Always ensure all handles and guards are fitted when using the machine. Never attempt to use an incomplete machine or one fitted with an unauthorized modification.

4. Wait until the machine has come to a standstill before placing it down.

5. Do not open the battery. Danger of short circuiting. Protect the battery against heat and fire. There is danger of explosion.

6. In the case of damage and improper use of the battery, vapours may be emitted. Provide for fresh air and seek medical help in case of complaints. The vapours can irritate the respiratory system.

7. When the battery is defective, liquid can escape and come into contact with adjacent components. Check any parts concerned. Clean such parts or replace them, if required.

8. Use the battery only in conjunction with your power tool. This measure alone protects the battery against dangerous overload.

2.7 SAFETY WARNINGS FOR BATTERY CHARGERS

1. Keep the battery charger away from rain or moisture. Penetration of water in the battery charger increases the risk of an electric shock.

2. Do not charge other batteries. The battery charger is suitable only for charging lithium ion batteries within the listed voltage range. Otherwise there is danger of fire and explosion.

3. Keep the battery charger clean. Contamination can lead to danger of an electric shock.

4. Before each use, check the battery charger, cable and plug. If damage is detected, do not use the battery charger. Never open the battery charger yourself. Have repairs performed only by a qualified technician and only using original spare parts. Damaged battery chargers, cables and plugs increase the risk of an electric shock.

5. Do not operate the battery charger on easily inflammable surfaces (e. g., paper, textiles, etc.) or surroundings. The heating of the battery charger during the charging process can pose a fire hazard.
6. Children should be supervised to ensure that they do not play with the battery charger.

2.8 ADDITIONAL SAFETY INSTRUCTIONS FOR LEAF BLOWERS

The intended use is described in this manual. The use of any accessory or attachment or performance of any operation with this appliance other than those recommended in this instruction manual can present a risk of personal injury and/or damage to property.

- To protect your feet and legs while operating the appliance, always wear heavy duty footwear and long trousers.
- Always switch off your product, allow the fan to stop and remove the battery from the battery holder:
 - You leave your product unattended.
 - Checking, adjusting, cleaning or working on your product.
 - If the appliance starts to vibrate abnormally.
- Do not place the inlet or outlet of the Blower near eyes or ears when operating. Never blow debris in the direction of bystanders.
- Do not use in the rain or leave outdoors while it is raining.
- Do not cross gravel paths or roads whilst your product is switched on during blow mode. Walk, never run.
- Do not place your unit down on gravel while it is switched on.
- Always be sure of your footing, particularly on slopes. Do not overreach and keep your balance at all times.
- Do not place any objects into the openings. Never use if the openings are blocked-keep free of hair, lint, dust and anything that may reduce the airflow.

Warning! Always use your product in the manner outlined in this manual. Your product is designed to be used in an upright mode and if it is used in any other way it may result in injury,

Never run your product whilst lying on it's side or upside down.

- The operator or user is responsible for accidents or hazards occurring to other people or their property.
- Do not use solvents or cleaning fluids to clean your product. Use a blunt scraper to remove debris and dirt.
- Keep all nuts bolts and screws tight to make sure that the appliance is in a safe working condition.

2.9 MAINTENANCE AND STORAGE

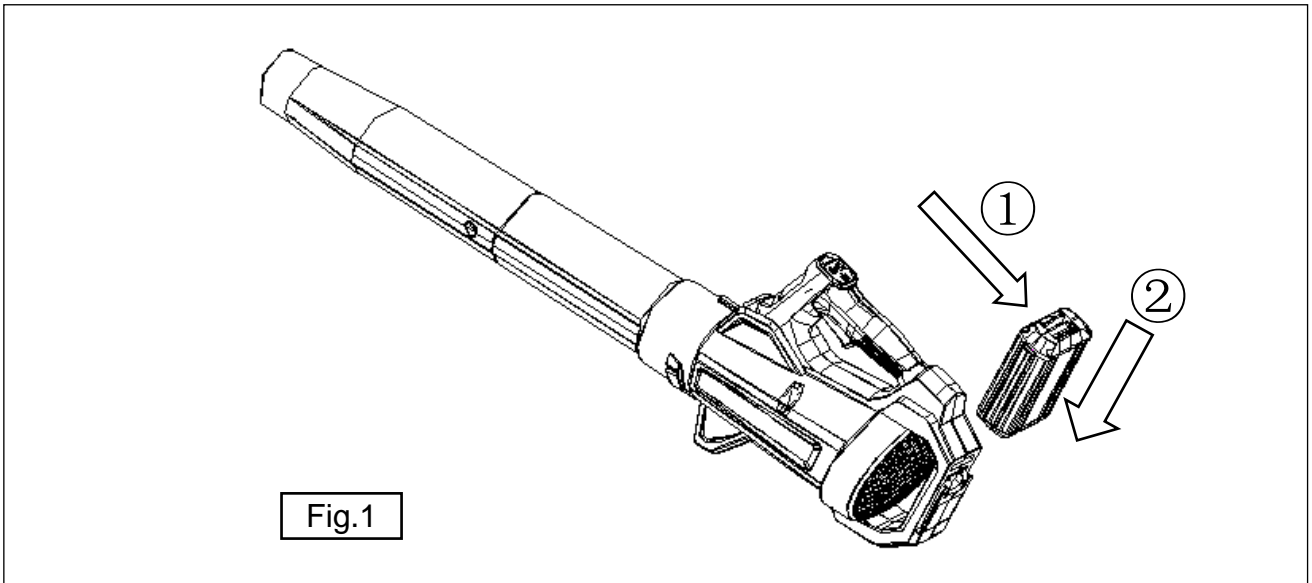
- a) Keep all nuts, bolts and screws tight to be sure the appliance is in safe working condition.
- b) Replace worn or damaged parts.
- c) Use only genuine replacement parts and accessories.
- d) Store the machine in a dry place out of the reach of children.

- e) When the machine is stopped for servicing, inspection, or storage, or to change an accessory, shut off the power source, disconnect the machine from the battery and make sure that all moving parts are come to a complete stop. Allow the machine to cool before making any inspections, adjustments, etc. Maintain the machine with care and keep it clean.
- f) Store the machine in a dry place out of the reach of children.
- g) Always allow the machine to cool before storing.
- h) Never attempt to override the interlocked feature of the guard.

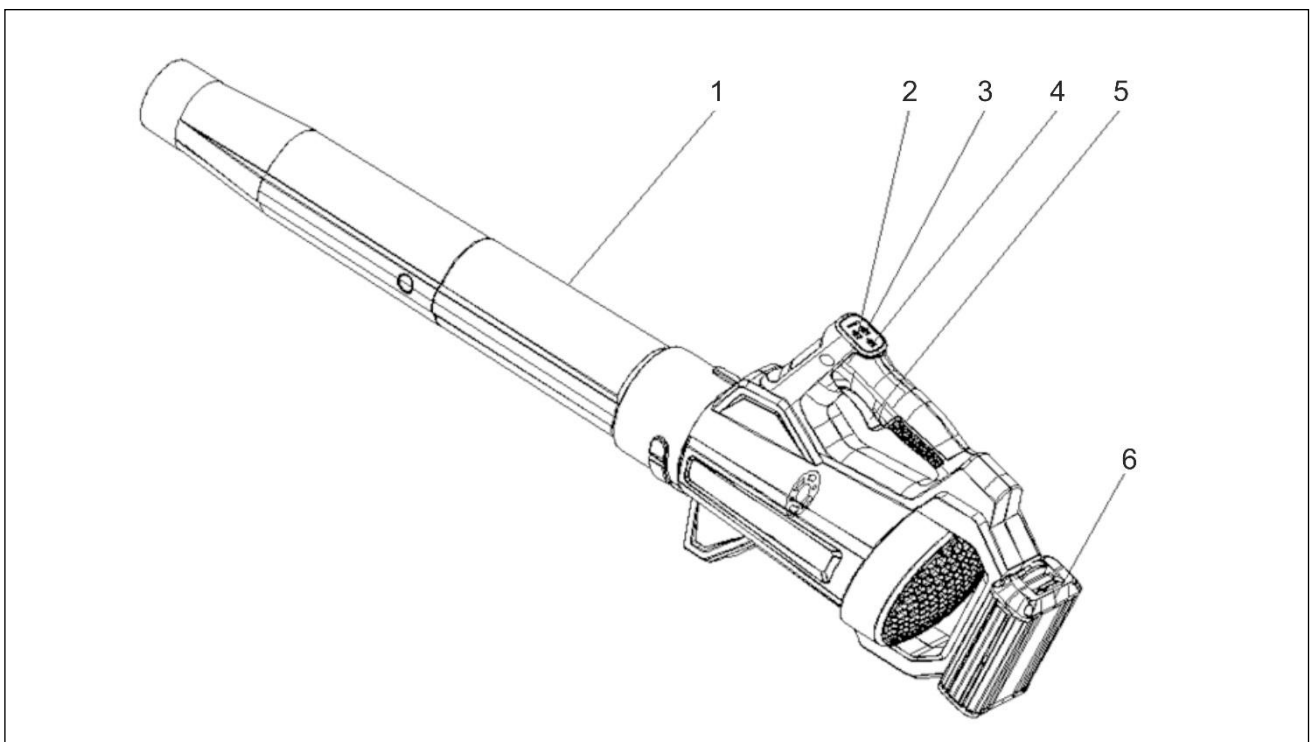
Safety Warnings for battery packs

- a) Do not dismantle, open or shred cells or battery pack.
- b) Do not short-circuit a battery pack. Do not store battery packs haphazardly in a box or drawer where they may short-circuit each other or be short-circuited by conductive materials. When the battery pack is not in use, keep it away from other metal objects, like paper clips, coins, keys, nails, screws or other small metal objects, that can make a connection from one terminal to another. Shorting the battery terminals together may cause burns or a fire.
- c) Do not expose battery pack to heat or fire. Avoid storage in direct sunlight.
- d) Do not subject battery pack to mechanical shock.
- e) In the event of battery leaking, do not allow the liquid to come into contact with the skin or eyes. If contact has been made, wash the affected area with copious amounts of water and seek medical advice.
- f) Seek medical advice immediately if a cell or battery pack has been swallowed.
- g) Keep battery pack clean and dry.
- h) Wipe the battery pack terminals with a clean dry cloth if they become dirty.
- i) Battery packs need to be charged before use. Always refer to this instruction and use the correct charging procedure.
- j) Do not maintain battery pack on charge when not in use.
- k) After extended periods of storage, it may be necessary to charge and discharge the battery pack several times to obtain maximum performance.
- l) Battery pack gives its best performance when it is operated at normal room temperature ($20\text{ }^{\circ}\text{C} \pm 5\text{ }^{\circ}\text{C}$).
- m) When disposing of battery packs, keep battery packs of different electrochemical systems separate from each other.
- n) Recharge only with the charger specified. Do not use any charger other than that specifically provided for use with the equipment. *A charger that is suitable for one type of battery pack may create a risk of fire when used with another battery pack.*
- o) Do not use any battery pack which is not designed for use with the equipment.
- p) Keep the battery pack out of the reach of children.
- q) Retain the original product literature for future reference.
- r) Remove the battery from the equipment when not in use.

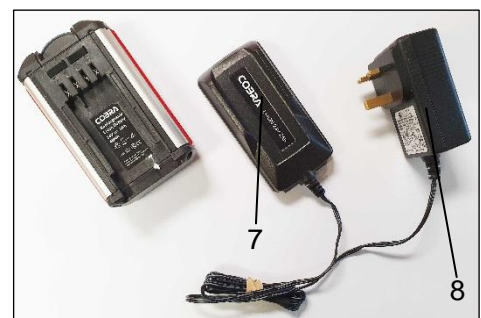
- s) The garden blower can only use specified li-ion batteries.
- t) When you need to remove and insert the battery pack , firstly you need to press and hold the button of battery pack (①) and then you can remove or fit it (②). (Fig.1)



3. PARTS DESCRIPTION



- | | |
|-------------------------------|-------------------------|
| 1. Blower tube | 5. Power trigger button |
| 2. High speed selector button | 6. Battery pack |
| 3. Low speed selector button | 7. Battery connector |
| 4. Initial/main power button | 8. Charger |



4. TECHNICAL DATA

Rated voltage:	24V DC
No load speed:	Low grade-13000 min ⁻¹ High grade-17500 min ⁻¹
Blower speed:	Low speed - 30m/s High speed - 45m/s
Weight:	1.8kg
Charging time	2.0hours
Charger Input	100-240V, 50/60hz, 1.2A
Charger Output	25.2V,1.0A
Battery capacity	2.0Ah
Measured sound power level:	LPA = 86 dB(A)
Guaranteed sound power level:	LWA.d: 100 dB(A)
Weighted Vibration	<2.5 m/s ² Uncertainty K =1.5 m/s ²

5. ASSEMBLY

Assembling the blower tube (Fig. 2, Fig. 3)

Carefully remove the product and any accessories from the box.



Warning! The leaf blower must not be used or switched on until it has been fully assembled.

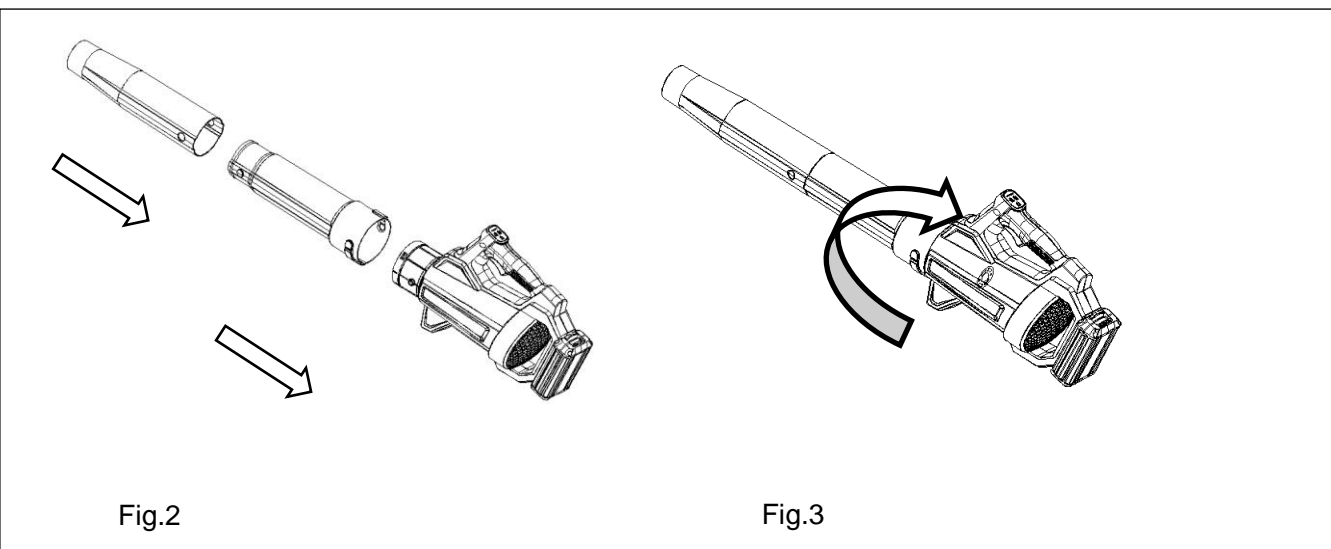
Always fully charge the new battery before using for the first time.

Put the blower tube to the machine as shown in (Fig. 2).

When the blower tube is assembled in place, then rotate it in the direction of arrow as shown in (Fig. 3).

Note: The machine can be assembled by flattening and rotating.

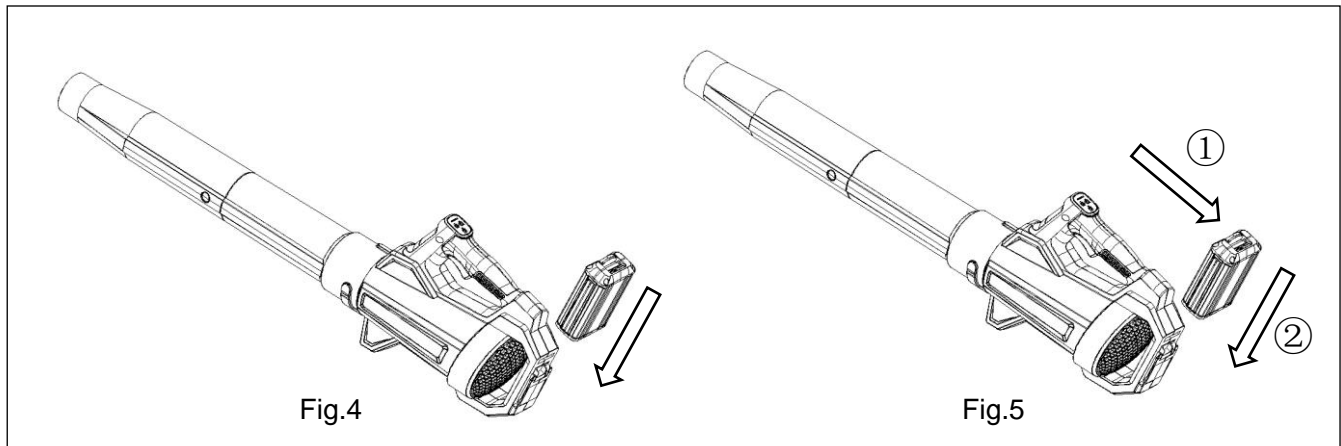
Warning: Don't operate the blower before the blower tube locks on the machine.



For storage or not in use, the blower tube can be removed by reversing the rotation.

Connecting and Disconnecting the Battery

1. To connect, align and slide the battery onto the slots of the battery docking port until it locks in place. (Fig. 4)
2. To disconnect, press the release button ① (1.) and remove the battery (2.) from the product. (Fig. 5)

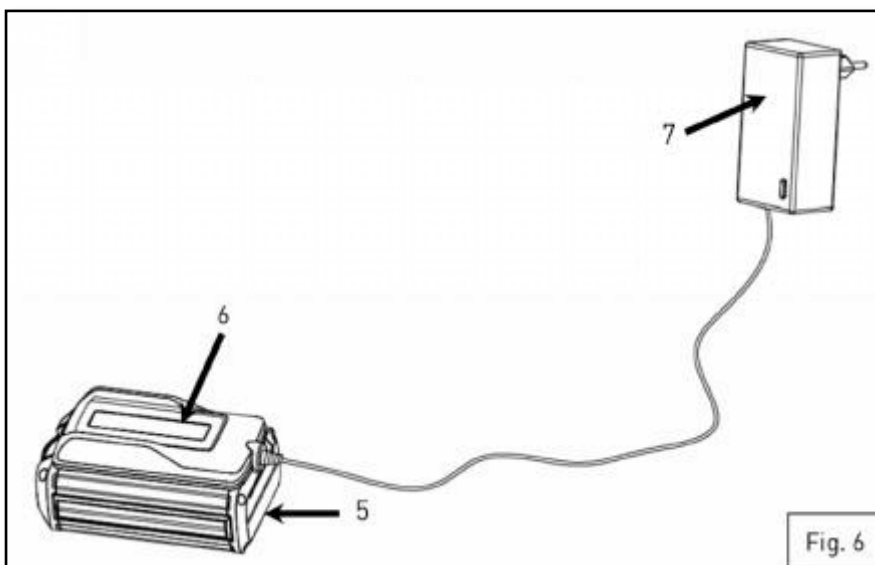


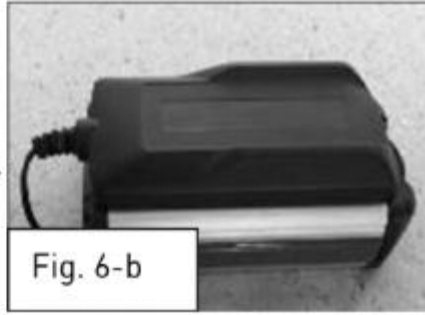
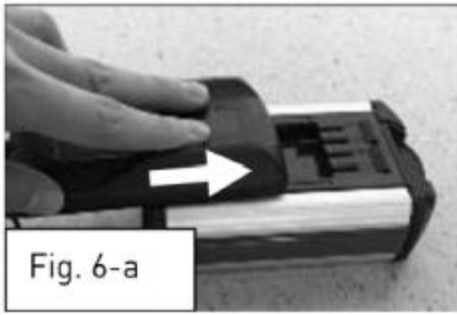
6. CHARGING THE BATTERY (Fig. 6)



Warning! Only use charger in dry places, away from moisture and heat sources. Before first use, the battery needs to be charged fully. Use only the original charger.

1. Remove the battery from the blower.
2. Align the sliding slots with the battery and slide the charger connector onto it until it locks in place. (Fig. 6-a, Fig. 6-b)
3. Connect the charger to the power supply. (LED on charger lights up red, and meanwhile the LED on battery lights up green and blink)
4. After a sufficient charging time (about 2.5 hours, LED on charger lights up green), disconnect the charger from the power supply.
5. Press the release button and remove the charger connector from the battery.





NOTE: It is normal for the battery and charger to become warm (but not hot) during charging process. If the battery does not charge properly, check to make sure the electrical outlet is “live”.

Notes on charger (Fig. 7):

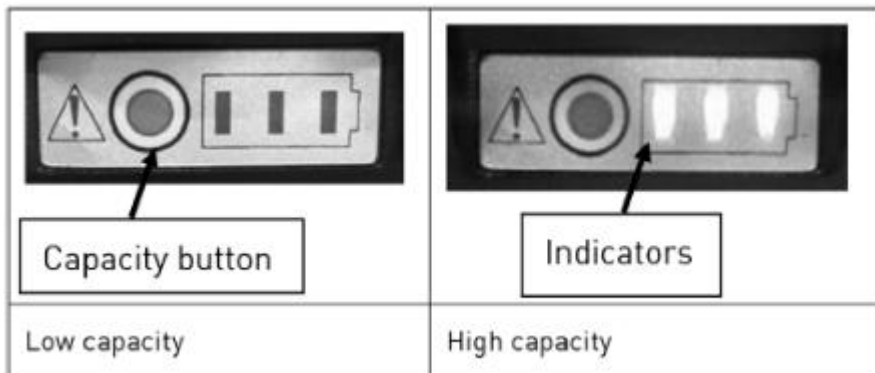
- LED on charger lights up red: Battery is charging



- LED on charger lights up green: Charging completed

Battery capacity indicators

Press the capacity button to check the battery capacity (as table below).



During charging, the indicators on the battery pack blink one after another and gradually turn on “Green” to show the battery capacity.

Notes on battery pack:

- LED on battery lights up green and blink: Battery is charging
- LED on battery lights up green: Charging completed



Self-discharge of batteries! Remove the battery from the charger once it is fully charged.



WARNING! Always charge the battery before storage! To reduce risk of fire, never leave the battery connected with the charger for more than 24 hours! Disconnect the charger from the power supply when it is not in use.

General instructions:

Regarding the battery, in order to maintain the long service life of the battery, always follow the instructions below:

- The blower is automatically switched off when the battery voltage is low. The battery must then be recharged before the blower can be used again.
- Always recharge the lithium-ion battery prior to any prolonged period of non-use, i.e. before storing the blower.
- The charging time is around 3.5 hours for a battery that is completely empty.
- The lithium-ion rechargeable battery can be charged at any charge level and charging can be interrupted at any time without damaging the battery (no memory effect).

7. USING THE BLOWER

1. Connect battery to blower. (Fig. 4)

2. Start the blower. (Fig. 8)

Step 1: Firstly press the power button ① until the light of “ECO” is lit;

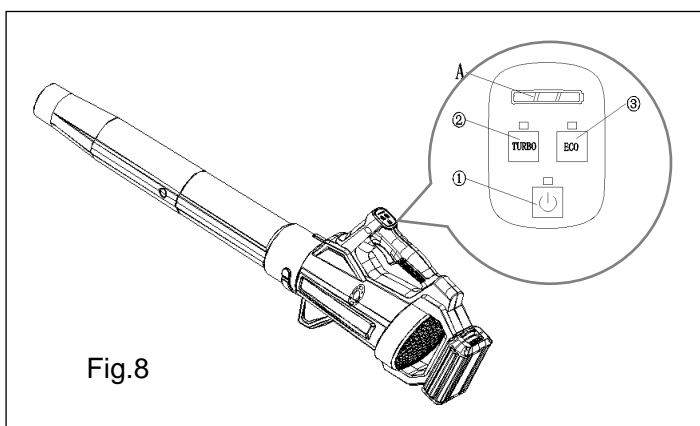
Step 2: Engage the switch trigger to start the blower, initially the blower is set to ECO or slow; (Variable speed trigger)

Step 3: To change to highspeed, press the “TURBO” button ②,

To change back to the slower speed press the key “ECO” ③ again, it changes to low speed position.

NOTE:

Indicator (A) on the panel also indicates the battery capacity. In use, all LEDs light up green to indicate high capacity of battery. LED goes out one after another to indicate the battery capacity is reducing gradually. (Fig. 8)



3. To stop the blower

Release the switch trigger to stop the blower. And then press the power key to turn off the LEDs.



Use the blower to blow garden waste such as, leaves, grass, or twigs together into heaps. Be careful to not blow debris into bystanders or property nearby.

- Do not blow hard objects such as nails, bolts, or rocks.
- Do not operate the blower near bystanders or pets.
- Use a broom or rake to loosen up firm garden waste from the soil prior to blowing.
- Use extra care when cleaning debris from stairs or other tight areas.

Wear safety goggles or other suitable eye protection, long trouser and suitable footwear.

Working times of operation:

Please consult regional/local regulations. Check the operating times at your local regulatory agency.

8. MAINTENANCE

1. Store the tool, instruction manual and accessories in a secure, dry place.
2. Keep the tool's air vents unclogged and clean at all times.
3. Remove dust and dirt regularly. Cleaning is best done with a rag or brush.
4. Never use caustic agents to clean plastic parts.
5. Remove the battery from the blower during storage.

Caution: Do not use cleaning agents to clean the plastic parts of the tool. A mild detergent on a damp cloth is recommended. Keep water away from the blower.

9. TROUBLESHOOTING

Problem	Possible cause	Fault correction
Device does not start	Insufficient power from the battery	Check the battery pack, charger, where appropriate, repair through a Cobra specialist
	Defective on/off switch	Contact your Cobra service centre
	Defective motor	
Device works with interruptions	Damaged battery pack	Check the battery pack, replace it
	Internal loose connection	Repair through a Cobra centre
	Defective on/off switch	

10. WARRANTY

This product is warranted in accordance with legal regulations for a 24 month period effective from the date of purchase by the first user.

This product will not be covered if used in a commercial application.

This warranty covers all material or production failures, it does not include: defects from normal wear and tear, parts such as, bearings, brushes, cables, air cleaning elements, brake pad, clutch disc, tyre, wheel, recoil starter rope, belts, cutter blades, plugs, lubricant oils and grease or accessories. Damage or defects resulting from abuse, accidents or alterations, natural fading of painted or plated surfaces, sheet peeling and other natural deterioration.

Any damage that occurs from the use of non-genuine Cobra parts will not be covered.

We reserve the right to reject any claim where the purchase cannot be verified or when it is clear that the product was not maintained properly. (Clean ventilation slots, carbon brushes and serviced regularly)

Expenses incidental to the warranty claim that are not covered;

-Compensation for loss of time, commercial loss or rental costs of substitute product.

-Costs incurred for transportation to and from the dealership.

Any damage that occurs from the following will not be covered; exposure of the product to smoke and soot, chemical agents, bird droppings or other animal waste, seawater, sea breeze, salt or other environmental phenomena.

Any damage resulting from operating methods other than those indicated in the owner's manual will not be covered.

Your purchase receipt must be kept as proof for date of purchase. Your un-dismantled product must be returned to your dealer in an acceptably clean state, accompanied by your proof of purchase.

Please Register Your Product:

Please take a few minutes and register your purchase with Cobra.

You can register by going online to: www.cobragarden.co.uk and clicking on Product Registration.

11. ENVIRONMENTALLY FRIENDLY DISPOSAL



According to EU directive 2012/19/EU on electric and electronic equipment and its implementation into national law, all electric tools must be separately collected and environmentally friendly recycled. Alternative disposal: If the owner of the power tool does not return the tool to the manufacturer, he is responsible for proper disposal at a designated collection point that prepares the device for recycling according to national recycling laws and regulations.

This does not include accessories and tools without electric or electronic components.

12. EC-DECLARATION OF CONFORMITY

EC Declaration of Conformity	
We herewith declare,	Cobra Garden Machinery, Henton & Chattell Ltd, London Road, Nottingham NG2 3HW UK
That the following machine complies with the appropriate basic safety and health requirements of the EC Directive based on its design and type, as brought into circulation by us.	
In case of alteration of the machine, not agreed upon by us, this declaration will lose its validity	
Machine Description:	Cordless Leaf Blower
Machine Type:	LB45024V (BV-C1561D)
Rated voltage/power	24Vd.c.
Measured sound power level:	86 dB(A)
Guaranteed sound power level:	100dB(A) Notified Body for EC Directive 2000/14/EC:0036 Intertek Testing Services Shanghai, Building No.86, 1198 Qinzhou Road (North), Caohejing Development Zone, Shanghai 200233, China
Applicable EC Directives	EC Machinery Directive:2006/42/EC EC Directive of Electromagnetic Compatibility: 2014/30/EU EC Directive of noise emission: 2000/14/EC RoHs Directive 2011/65/EU
Applicable Harmonized Standards	EN 60335-1 EN 50636-2-100 EN 62233 EN ISO 12100 EN 55014-1 EN 55014-2
Authorized Signature/Date	 Peter J. Chaloner 05/01/2021
Title of Signatory	Managing Director
Name and address of the person authorized to compile the technical file	Cobra Garden Machinery, Henton & Chattell Ltd, London Road, Nottingham NG2 3HW UK